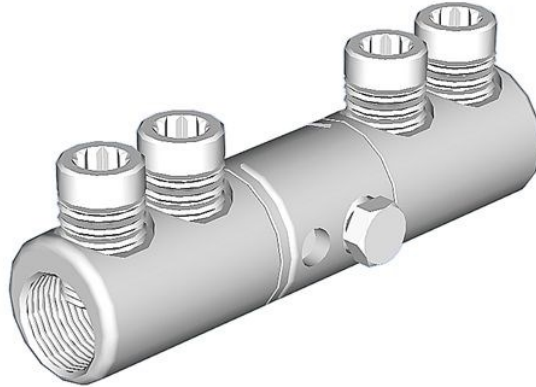


Split moisture blocked
straight mechanical ferrule
for medium voltage
applications

MECHANICAL CONNECTORS

MF18 Connectors



Principle Application

Straight through jointing of stranded / solid sectoral conductors.

Range

| PRODUCT REFERENCE | CORE C.S.A. (mm ²) | | | | APPROX. UNIT WEIGHT (grams) |
|----------------------|--------------------------------|-----|-------|-----|--------------------------------|
| | STRANDED | | SOLID | | |
| | MIN | MAX | MIN | MAX | |
| MF18/1 | 10* | 95 | 10 | 70 | 120 |
| MF18/2 | 16 | 185 | 16 | 150 | 150 |
| MF18/3 | 70 | 300 | 70 | 240 | 200 |

Note: For jointing other core configurations/sizes please contact Sicame Technical Dept

The **MF18** range of mechanical connectors utilises the patented "universal" range taking shear bolts and comes complete with core stripping guides.

Suitable for all cable voltages upto and including 33000 volts.

Secondary Application

Straight through jointing of stranded/solid circular cored conductors.

Range

| PRODUCT REFERENCE | CORE C.S.A. (mm ²) | | | | APPROX. UNIT WEIGHT (grams) |
|----------------------|--------------------------------|-----|-------|-----|--------------------------------|
| | STRANDED | | SOLID | | |
| | MIN | MAX | MIN | MAX | |
| MF18/1 | 10* | 95 | 10 | 185 | 120 |
| MF18/2 | 16 | 185 | 16 | 300 | 150 |
| MF18/3 | 70 | 300 | 70 | 400 | 200 |

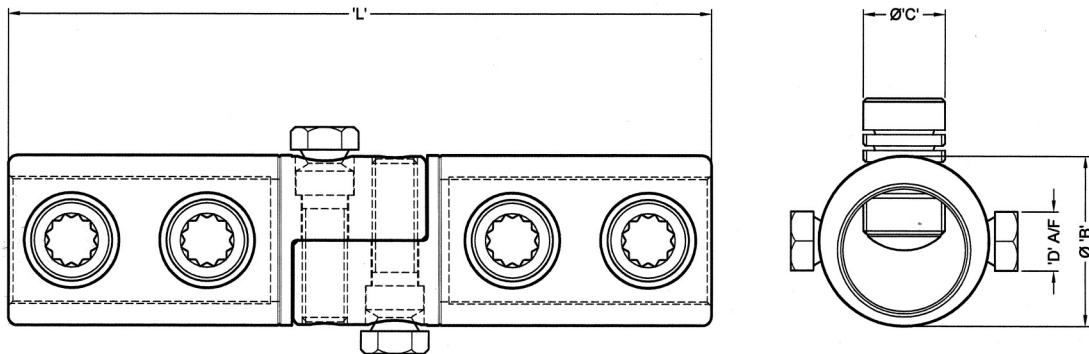
Note: For jointing other core configurations/sizes please contact Sicame Technical Dept

Split moisture blocked
straight mechanical ferrule
for medium voltage
applications

MECHANICAL CONNECTORS

MF18 Connectors

Physical Dimensions



| PRODUCT REFERENCE | DIMENSIONS (mm) | | | |
|----------------------|-----------------|------|-----|-------|
| | L | ÆB | ÆC | D A/F |
| MF18/1 | 129.5 | 28.0 | M16 | 13mm |
| MF18/2 | 130.5 | 32.0 | M18 | 13mm |
| MF18/3 | 155.5 | 37.5 | M18 | 13mm |

Material: Aluminium Alloy

Test Specification

Engineering Recommendation C79 / IEC 1238-1.

Fitting instructions

1. Strip insulation from each core equal to the depth of the bore guide + 5mm.
2. Thoroughly abrade exposed conductor cores. (See note).
3. Separate the connector and place each half onto the conductor cores.
4. Bring both connector halves together and align, screw the two central joining screws into the connector and tighten consecutively one turn at a time until both screws have sheared.
5. Tighten the universal shear bolts consecutively one turn at a time until the bolts have sheared.
6. Deburr and clean the connector as appropriate ensuring the profile of the screws are level with the connector body and leaving no sharp edges.

Note: When jointing copper conductor, wrap the core with the brass gauze supplied prior to installation.

Conductor cores 10mm² and below should be doubled to achieve the necessary cross-sectional area.

IMPORTANT: Please note when using the MF connectors in joints nominally rated in excess of 3.3kV, it is essential that the Jointing System Supplier's instructions for stress relieving and re-insulation techniques are strictly adhered to.

©COPYRIGHT

Sicame UK Ltd operates a continuous product design development and improvement programme and offers active co-operation establishing satisfactory procedures and systems to meet new or unusual jointing situations. The company reserves the right to introduce modifications to the above designs and specifications without prior notice.

sicame
UK

2.15b

DECEMBER 2016