

**NET/1 Connectors**



**Principle Application**

The connection of consac cable (aluminium sheath) to waveform cable neutral/earth wires.

**Range**

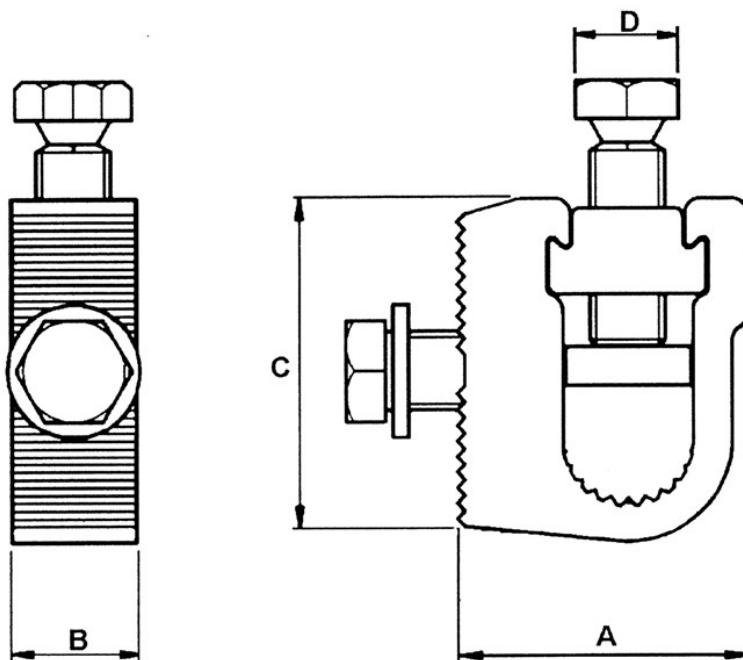
Product Reference (Part Number)	Conductor c.s.a. (mm <sup>2</sup> )	
	min	max
NET/1 (51801-10)	40	240

The Sicame Neutral/Earth Connector has been designed to connect either stranded copper or stranded aluminium neutral/earth conductors of CNE (waveform) mains distribution cables to the aluminium sheath of CONSAC cable.

All joint configurations can be accommodated dependant on the total cross sectional area of neutral/earth conductor to be jointed.

**NET/1 Connectors**

**Physical Dimensions**



Ref. Code (Part Number)	Dimensions (mm)			
	A	B	C	D
NET/1 (51801-10)	37	16	44	13

**Material**

**Body:** Brass

**Screw:** Brass

**Test Specification:**

**To meet the requirements of BS EN 61238-1.**

**Fitting Instructions:**

1. Punch a M10 clearance hole in consac aluminium sheath and assemble connector to sheath.
2. Arrange the CNE conductors into a bunch and where necessary cut the conductors to length.
3. Thoroughly abrade all conductors around the assembly area.
4. Fit the conductors into the yoke, insert the bridge piece and tighten the screw until positive location is achieved.
5. Due to the connector employing a shear head system check for even distribution of the conductors before finally tightening the screw until the head shears.