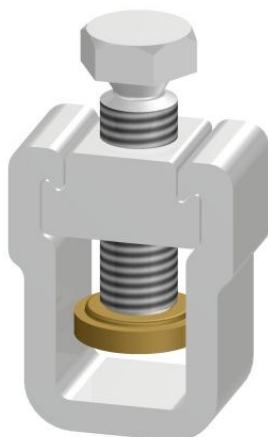


‘NE’ Connectors (Hybrid)



Principle Application:

Stranded aluminium and copper neutral/earth (CNE) strands.

Range:

Connector Reference (Part Number)	Core C.S.A. (mm ²)	
	Min	Max
NE25 (51801-09)	10	150
NE26 (51801-94)	10	95

The ‘NE’ range of Neutral Earth Connectors have been designed to connect both stranded copper and stranded aluminium neutral earth conductors of CNE (waveform) service and mains distribution cables.

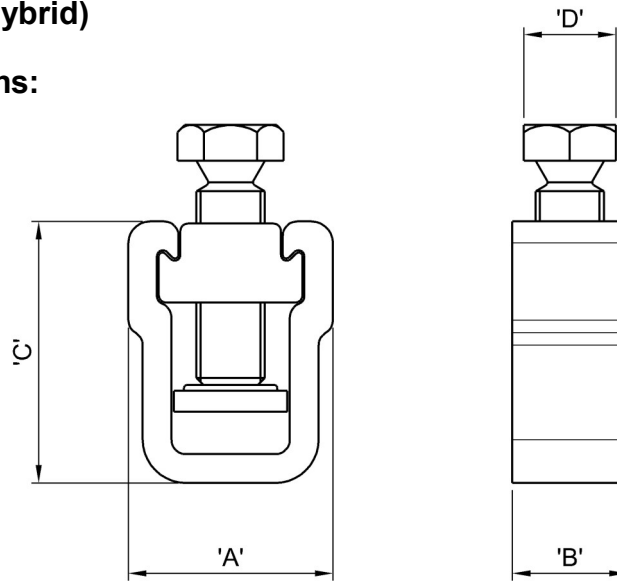
All joint configurations can be accommodated dependant on the total cross sectional area of neutral/earth conductor to be jointed.

The aluminium connector yoke is electro-tinned and is also supplied with brass gauze as standard (see note).

See overleaf for fitting instructions.

'NE' Connectors (Hybrid)

Physical Dimensions:



Connector Reference (Part Number)	Dimensions (mm)			
	'A'	'B'	'C'	'D'
NE25 (51801-09)	28.5	16.0	36.4	13.0
NE26 (51801-94)	28.5	16.0	30.4	13.0

Material:

Body: Aluminium Alloy (Tinned)

Pressure Pad: Copper Alloy

Fitting Instructions:

1. Arrange the CNE conductors into the required number of bunches for the particular joint and, where necessary, cut the conductors to length.
2. Thoroughly abrade all conductors around the assembly area.
3. Fit the yoke around the conductors, insert the bridge piece and tighten the screw until positive location is achieved.
4. Due to the connector employing a shear head system, check for even distribution of the conductors before finally tightening the screw until the head shears.

Note: When jointing CNE aluminium to copper conductors ensure the supplied brass gauze is fitted around the copper conductors only.